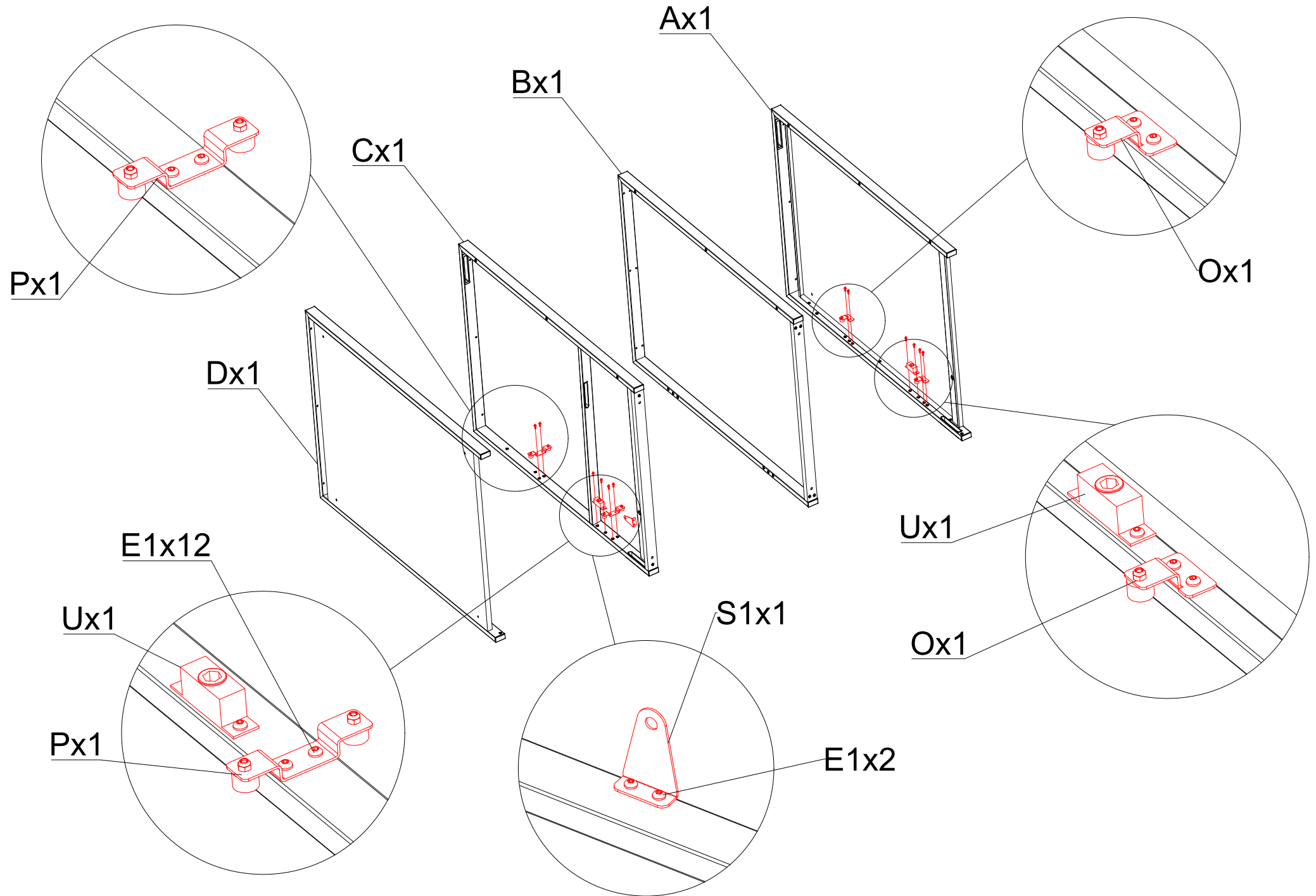
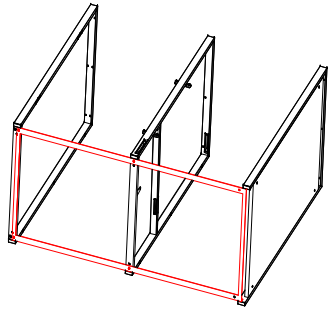

60Min

Ax1 	Bx1 	Cx1 	Dx1 	Ex2 1014*598*20mm	Fx1 1014*623*20mm	Gx1 	Hx1 		
Ix1 	Jx1 	Kx1 1014*605*22mm	Lx2 1014*580*22mm	Mx2 	Nx2 	Ox2 	S1x1 		
Qx1 20N	Rx1 155N	Sx6 	Tx3 	Ux2 	Vx2 	Px2 			
Wx2 M8*32mm	Xx4 	Yx2 	Zx2 	A1x2 φ16*8mm	B1x4 φ16*6mm	C1x2 M8*35mm	D1x6 	E1x38 M4*10mm	F1x15 M4*30mm
G1x50 M4*12mm	H1x3 	I1x1 	J1x4 	K1x4 	L1x4 M4*20mm	M1x1 			

Step-1



Step-2



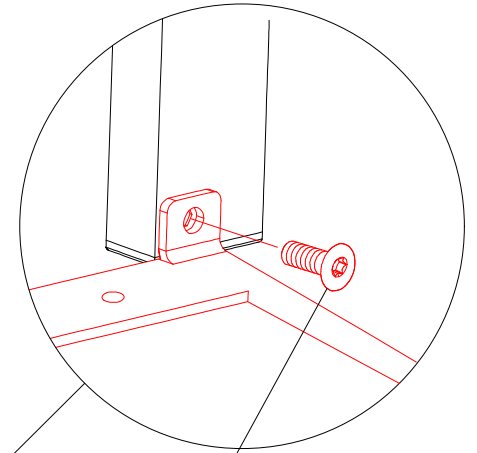
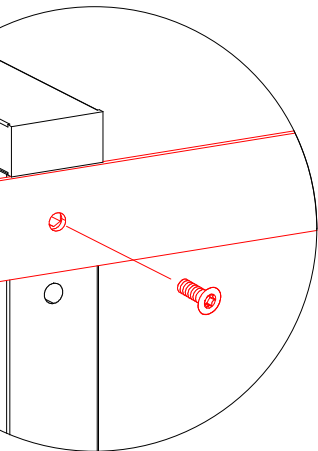
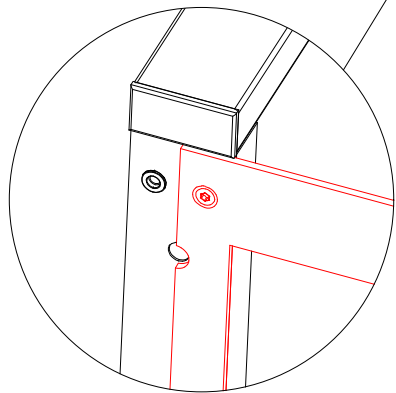
Bx1

Cx1

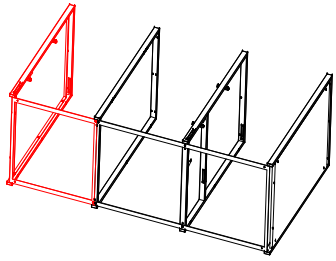
Dx1

G1x6

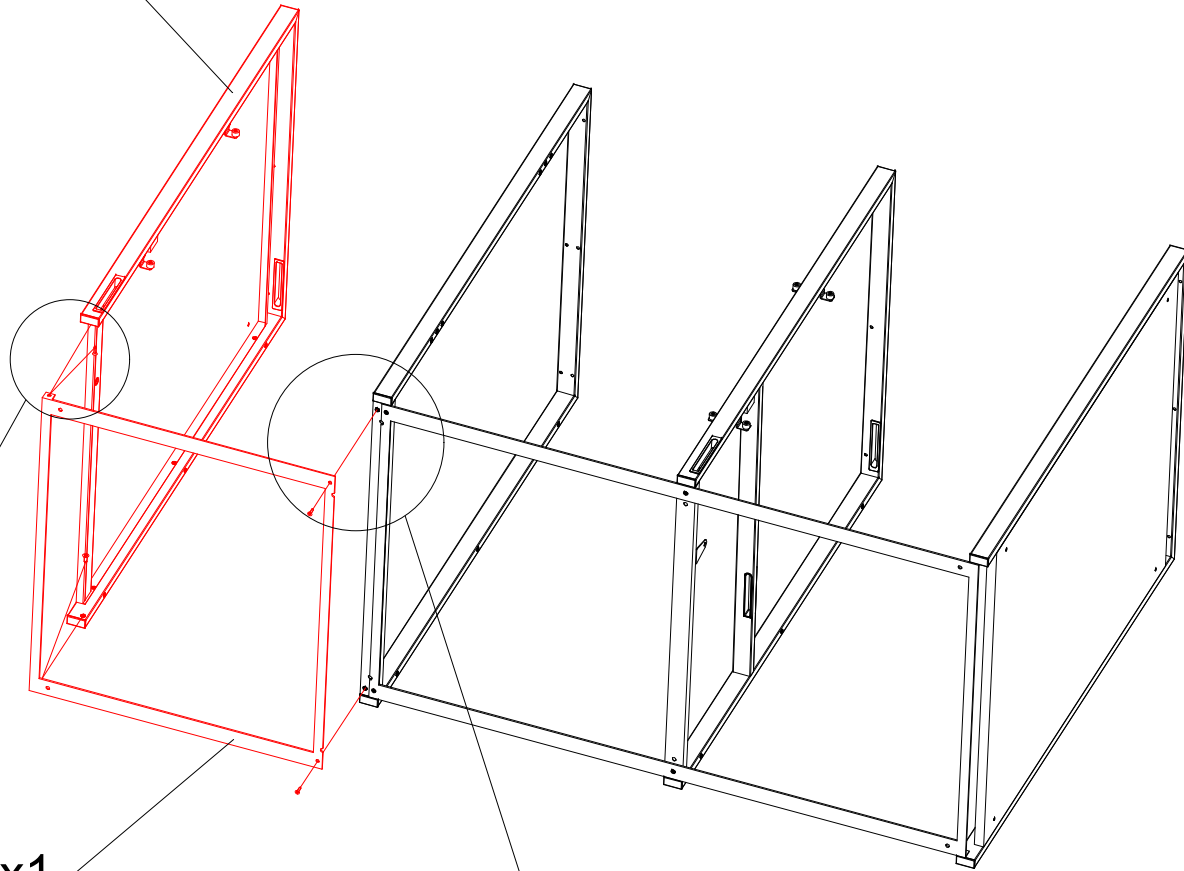
Gx1



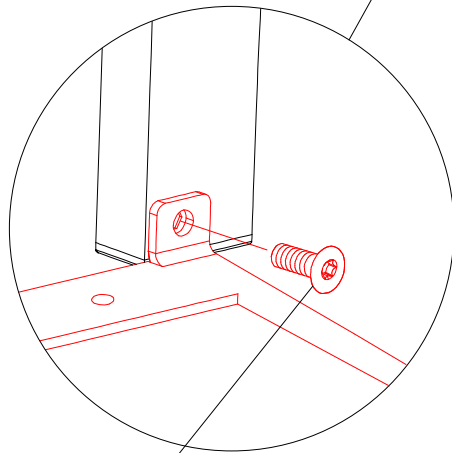
Step-3



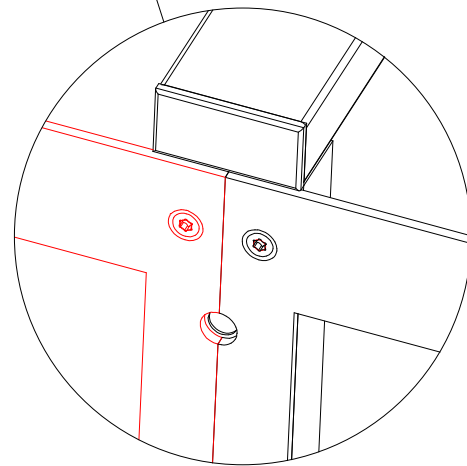
Ax1



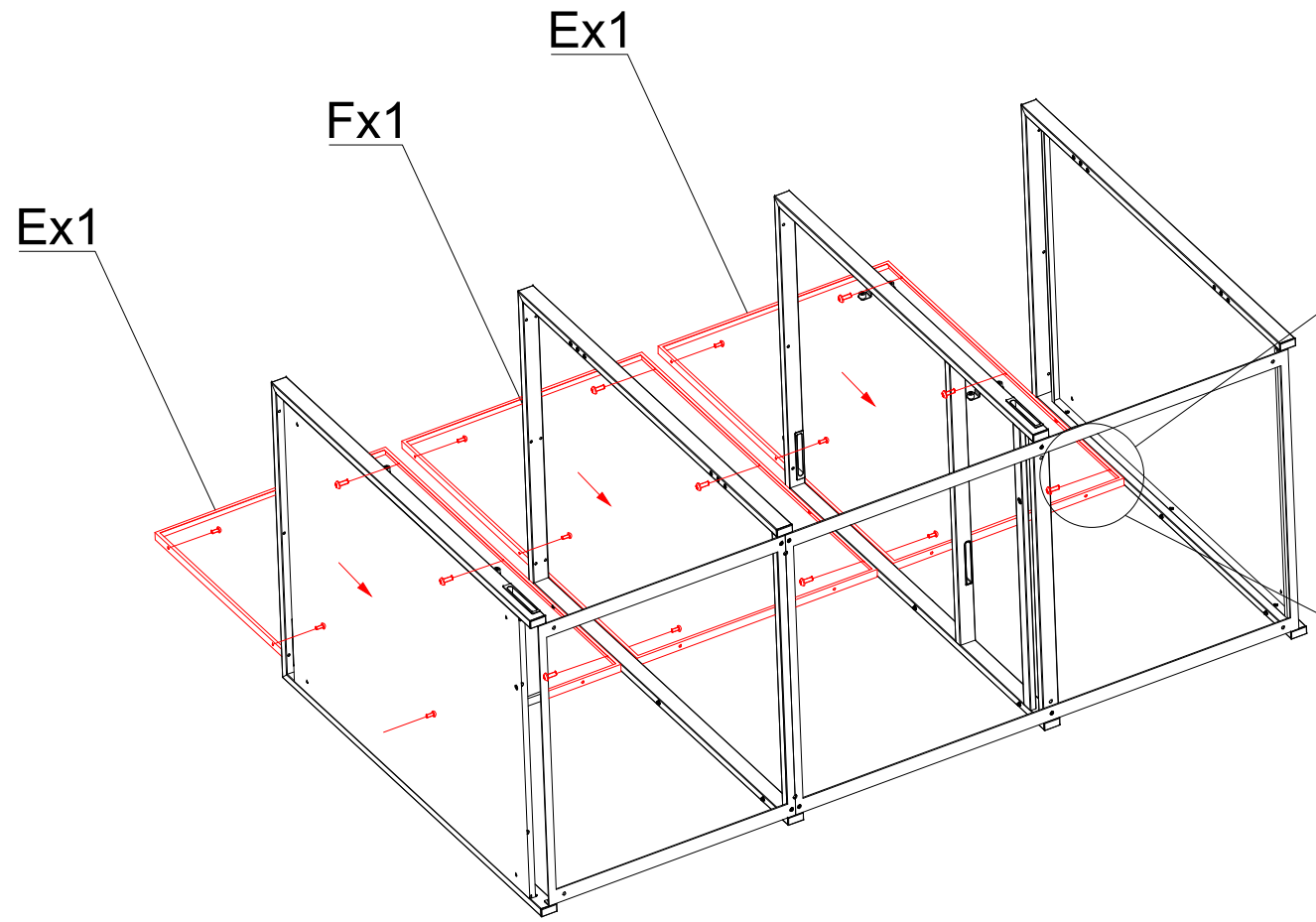
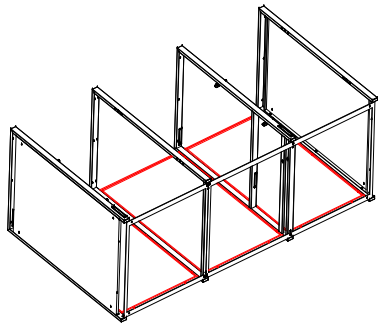
Hx1



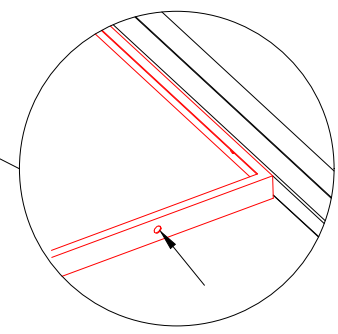
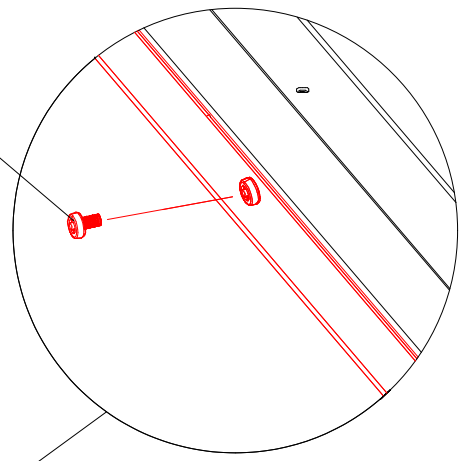
G1x4



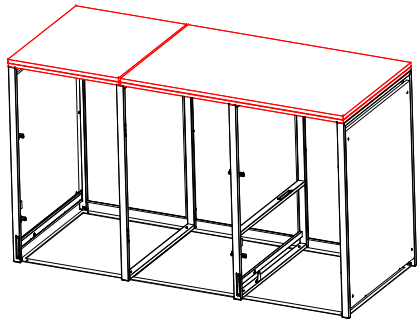
Step-4



E1x18



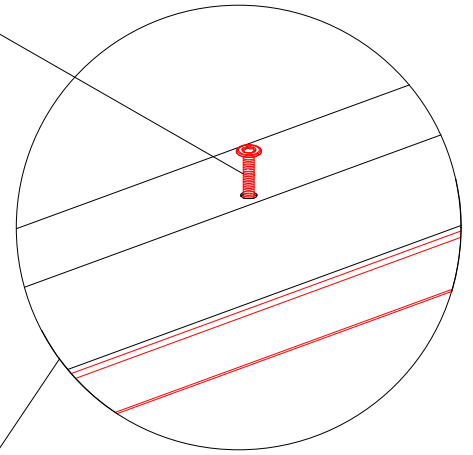
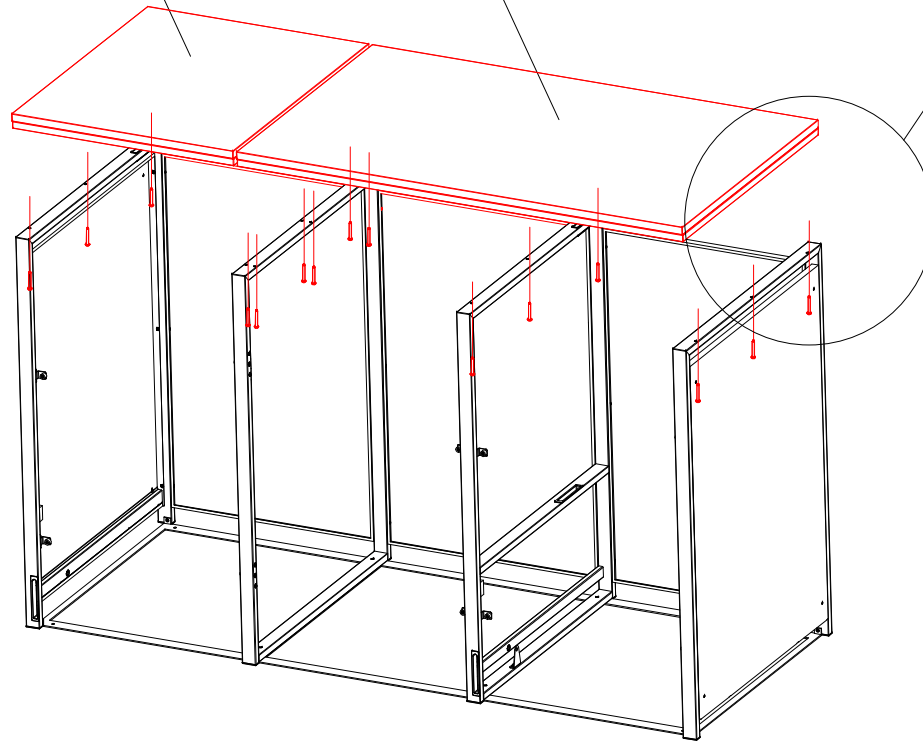
Step-5



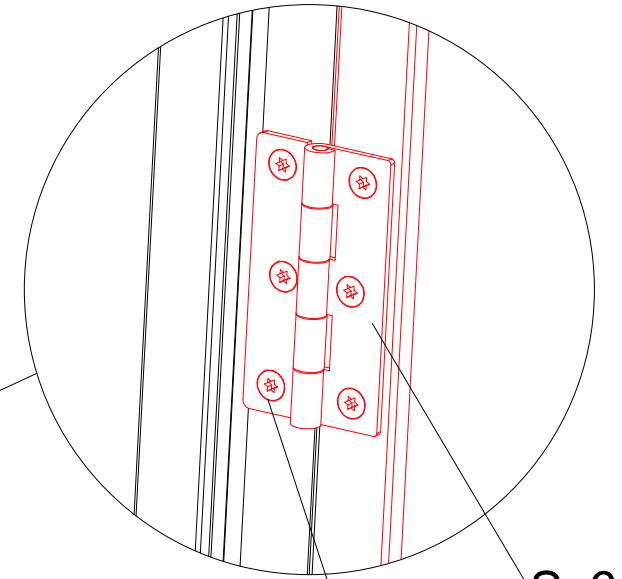
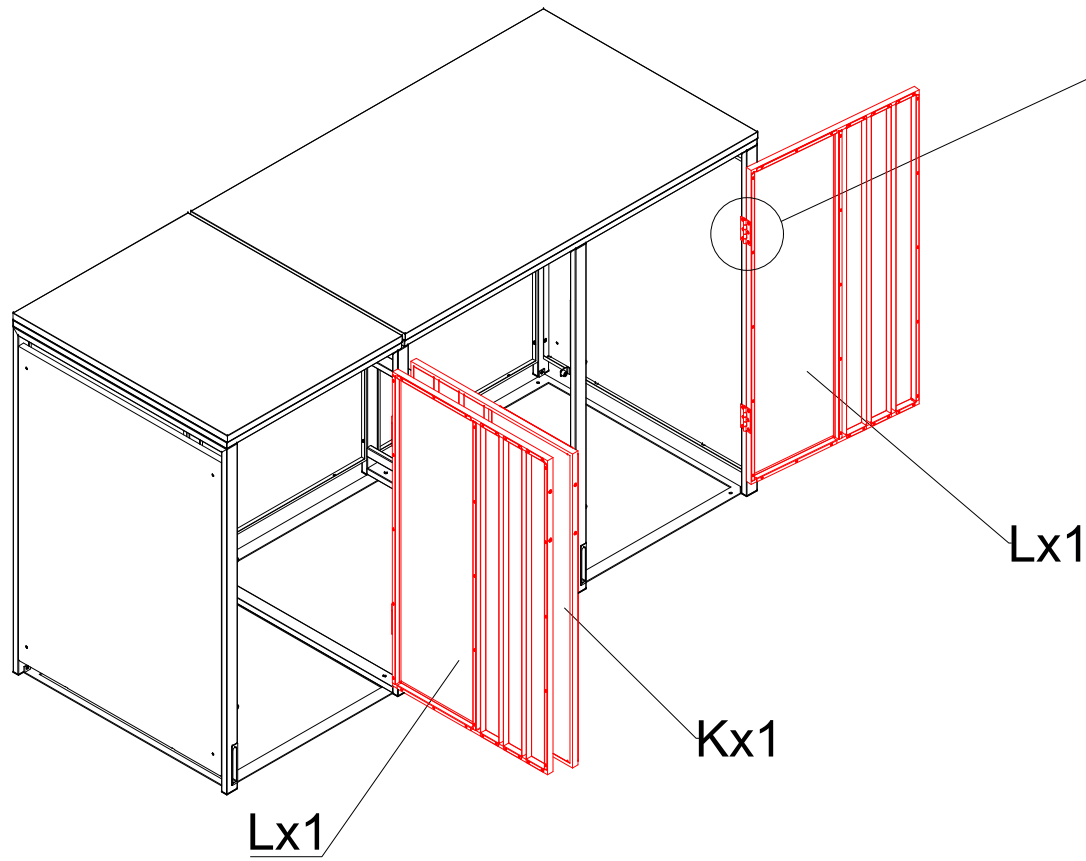
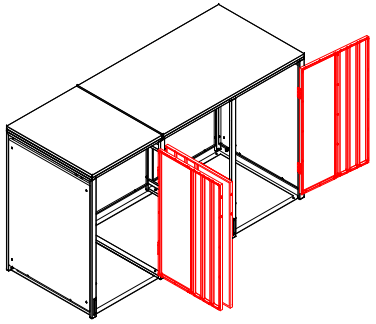
Jx1

lx1

F1x15



Step-6



Sx6

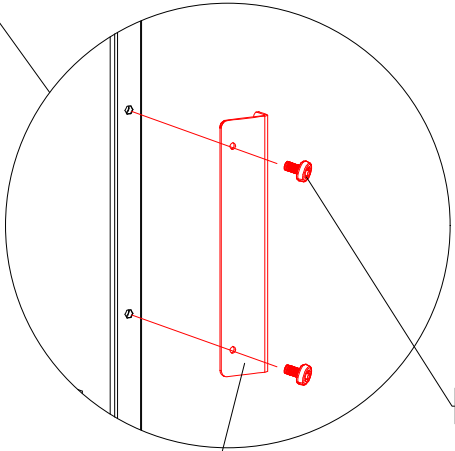
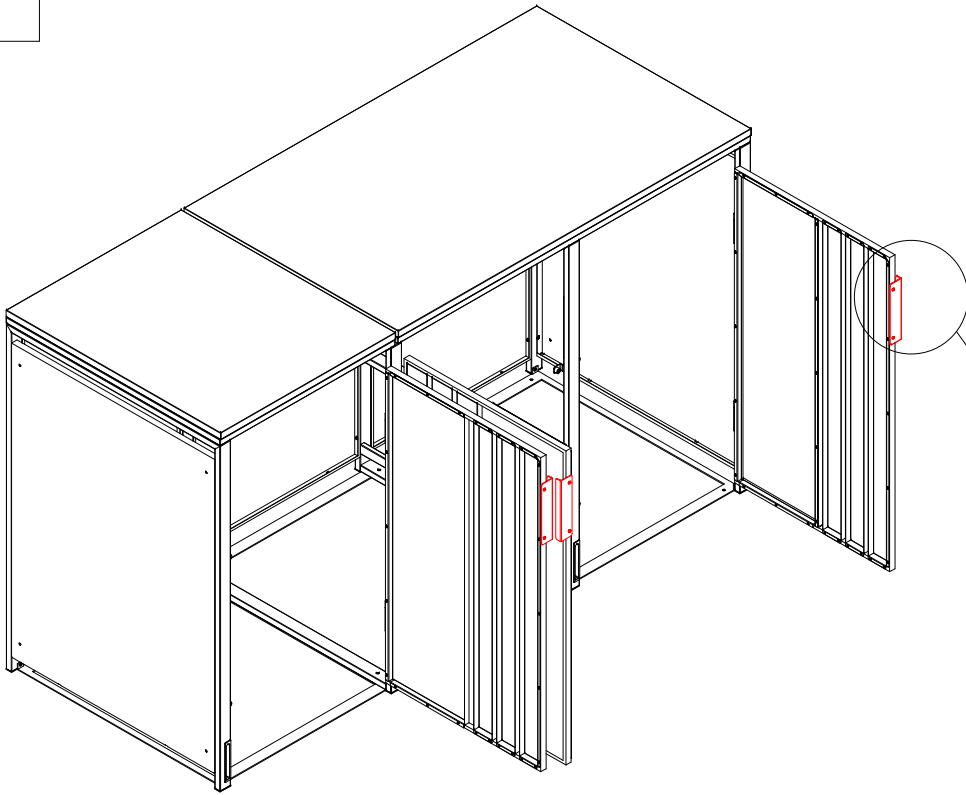
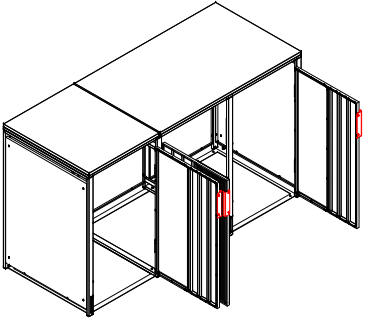
G1x36

Lx1

Kx1

Lx1

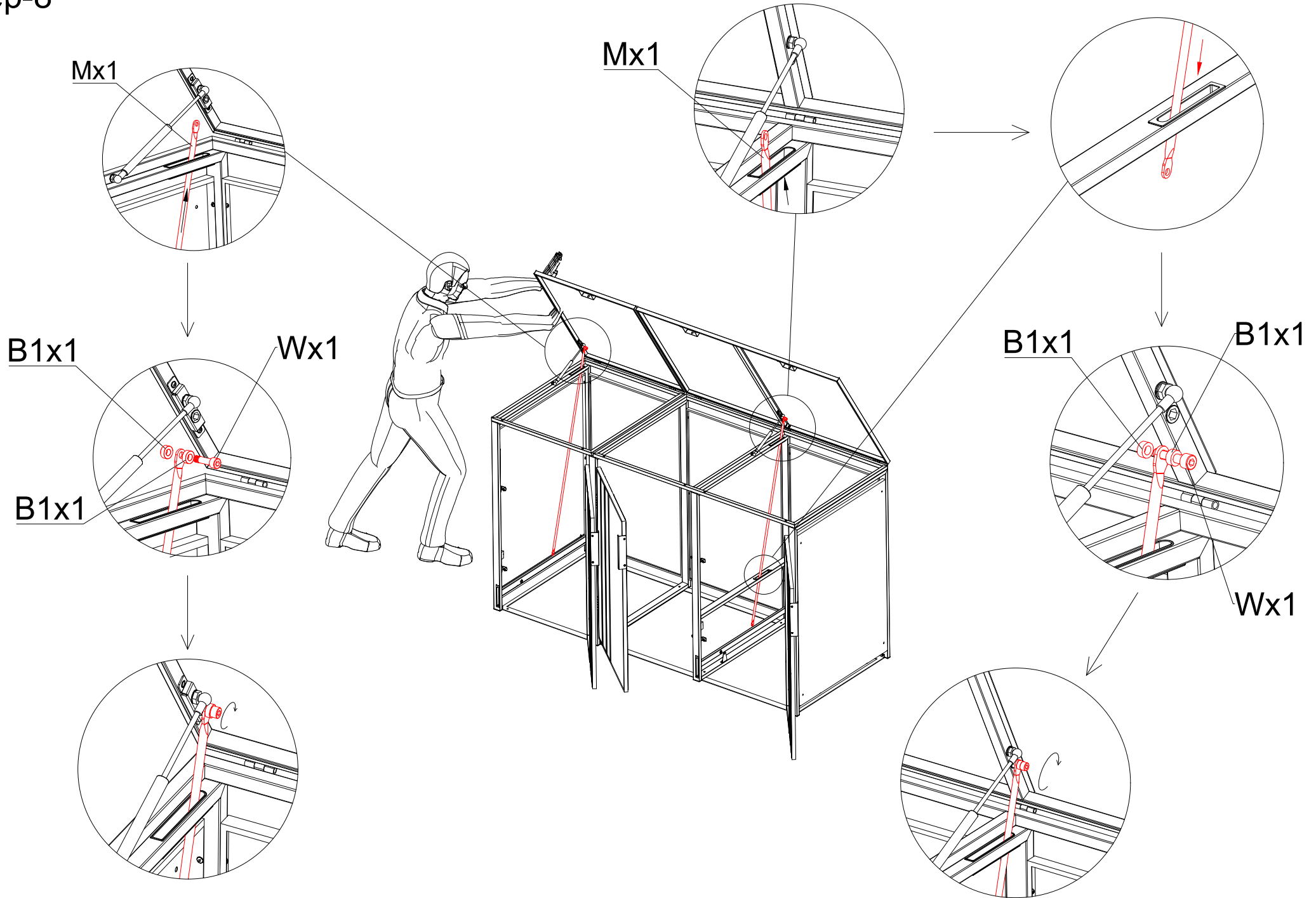
Step-7



E1x6

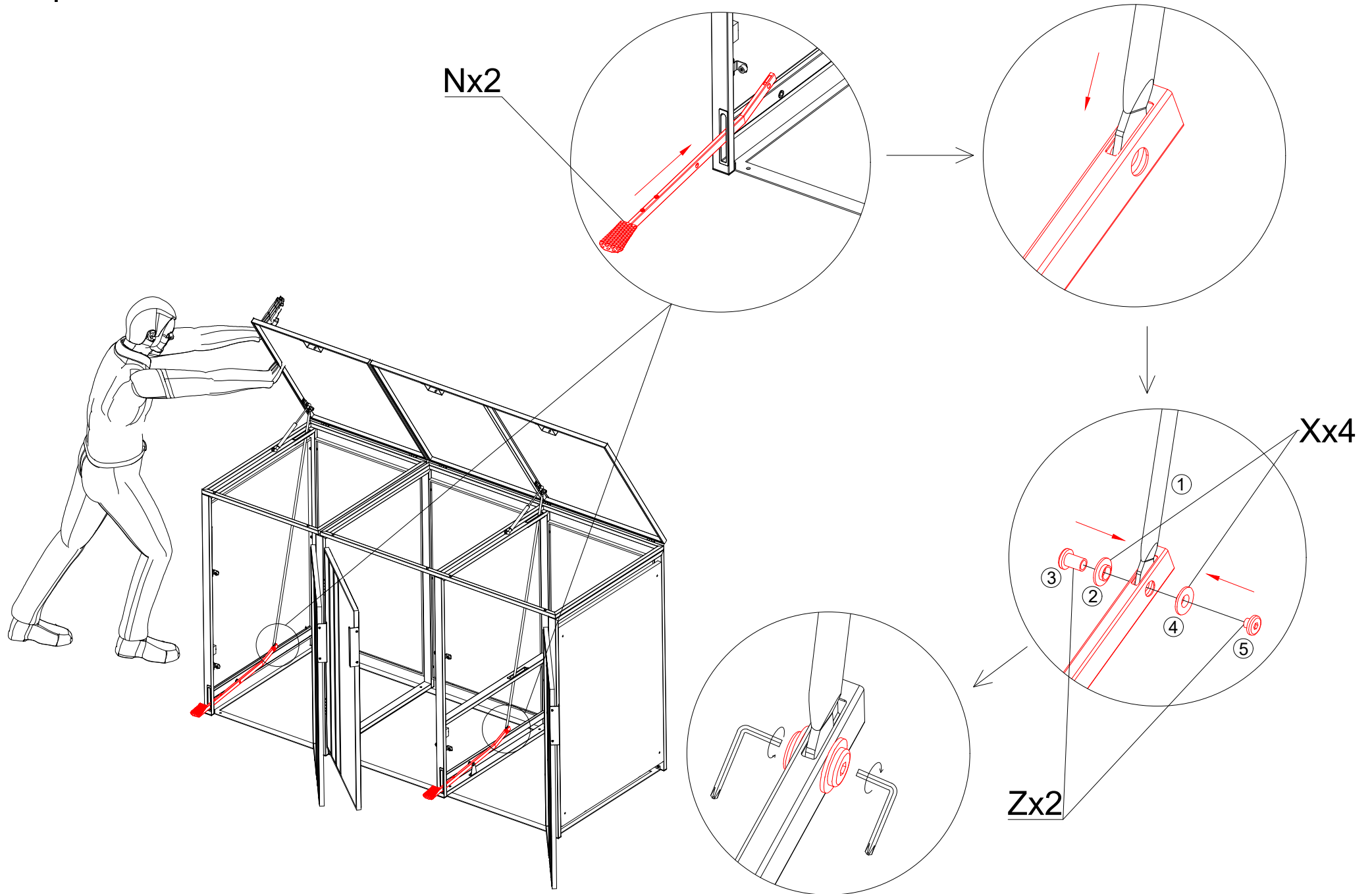
Tx3

Step-8



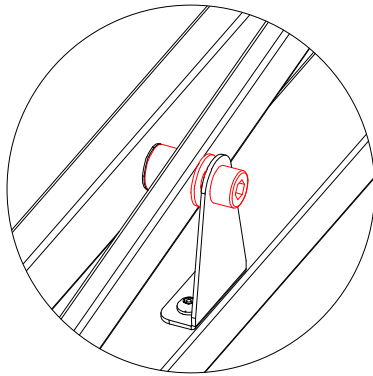
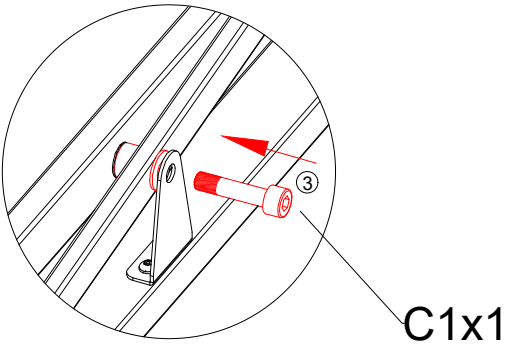
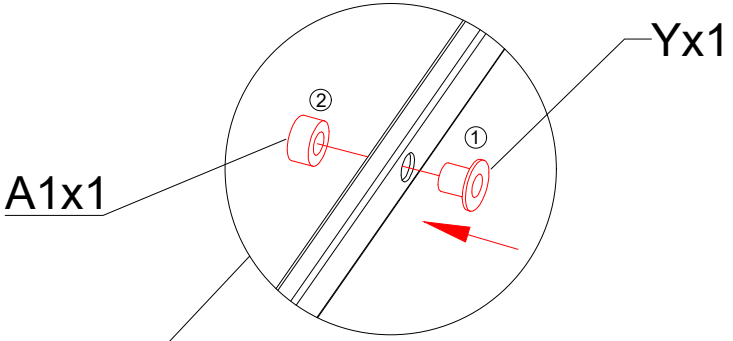
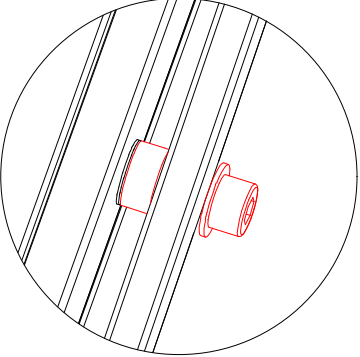
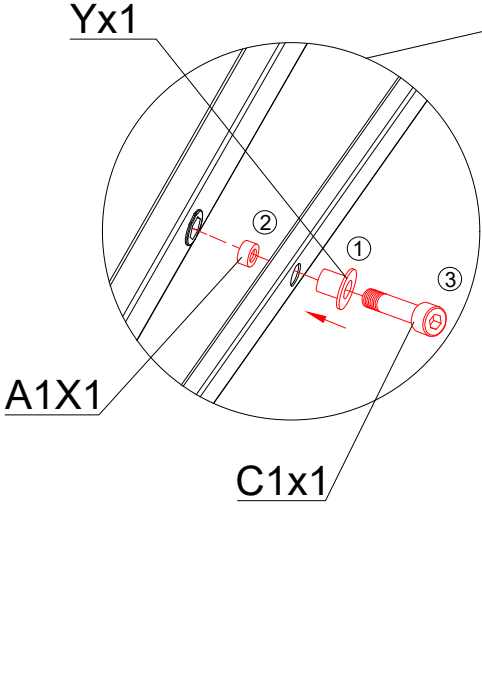
Note: during this step of assembly, another person is required to keep pushing the cover open.

Step-9



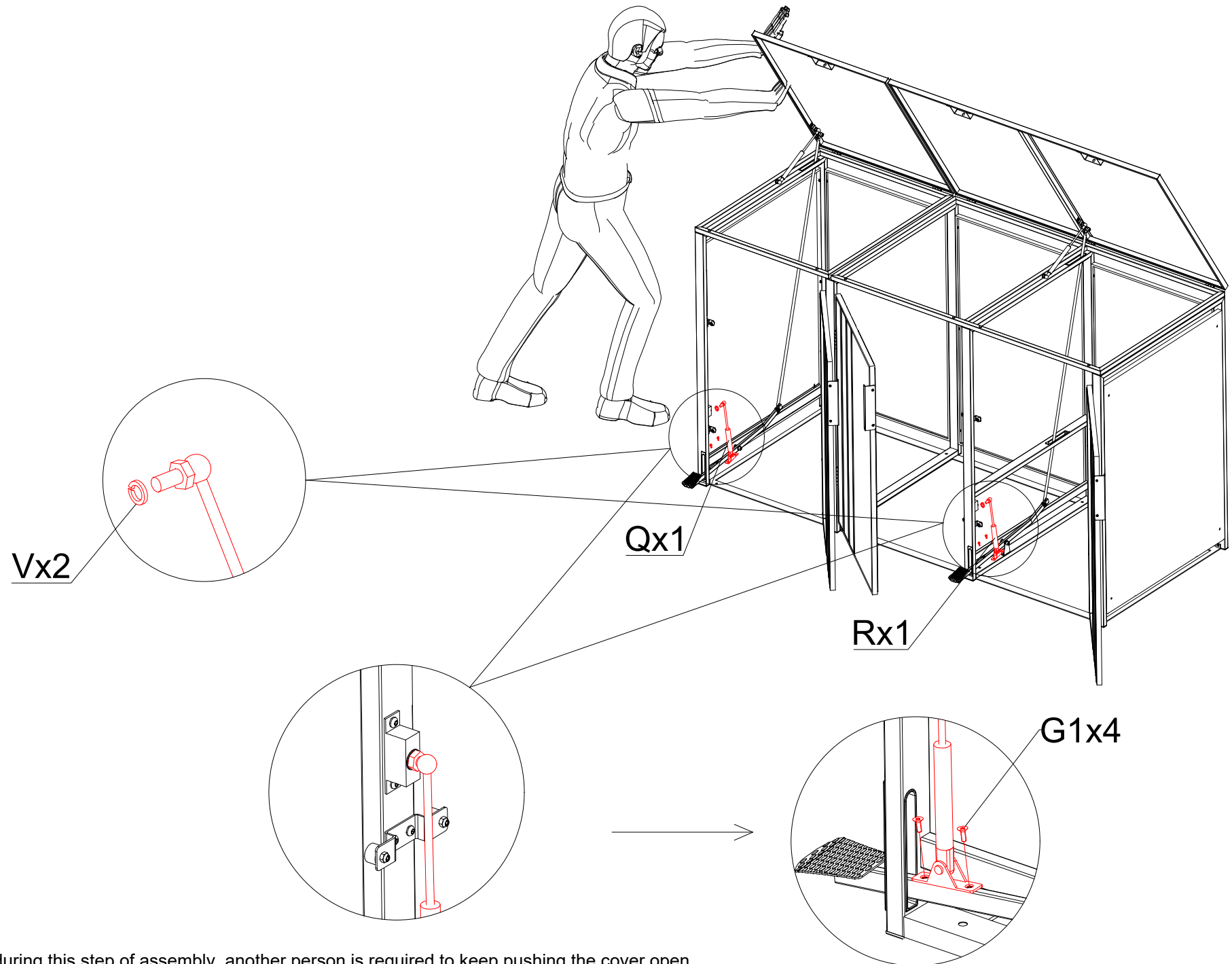
Note: during this step of assembly, another person is required to keep pushing the cover open.

Step-10



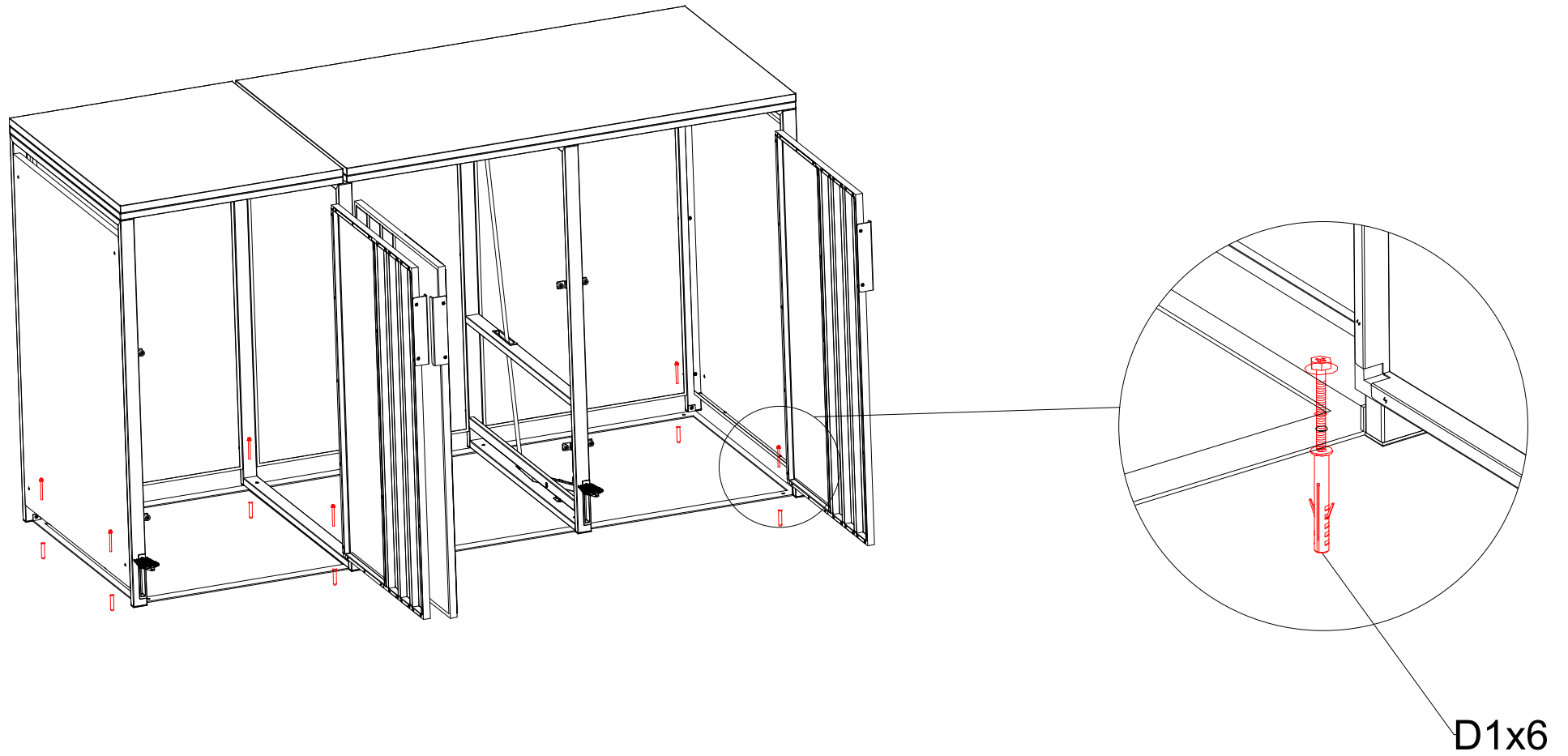
Note: during this step of assembly, another person is required to keep pushing the cover open.

Step-11

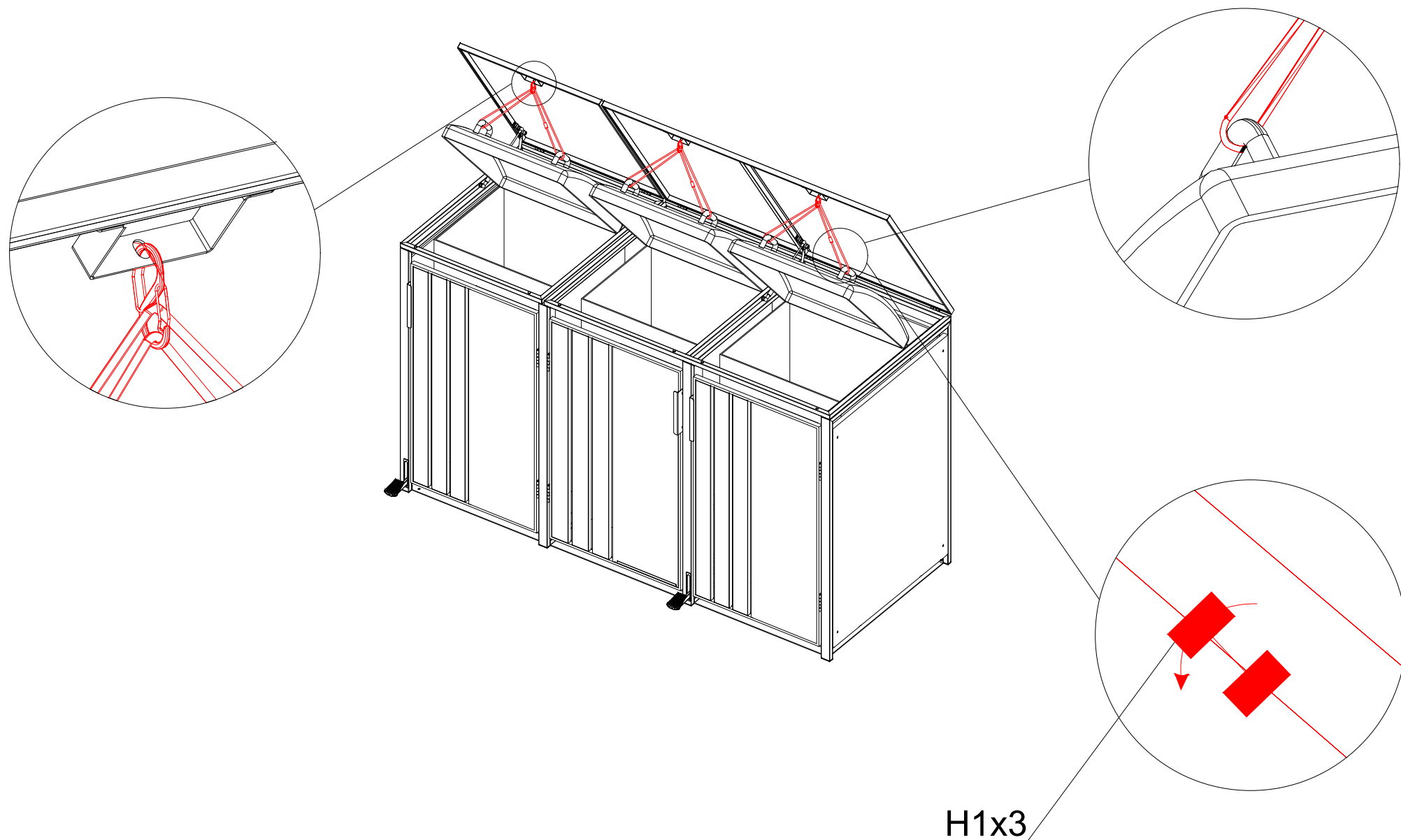


Note: during this step of assembly, another person is required to keep pushing the cover open.

Step-12



Step-13

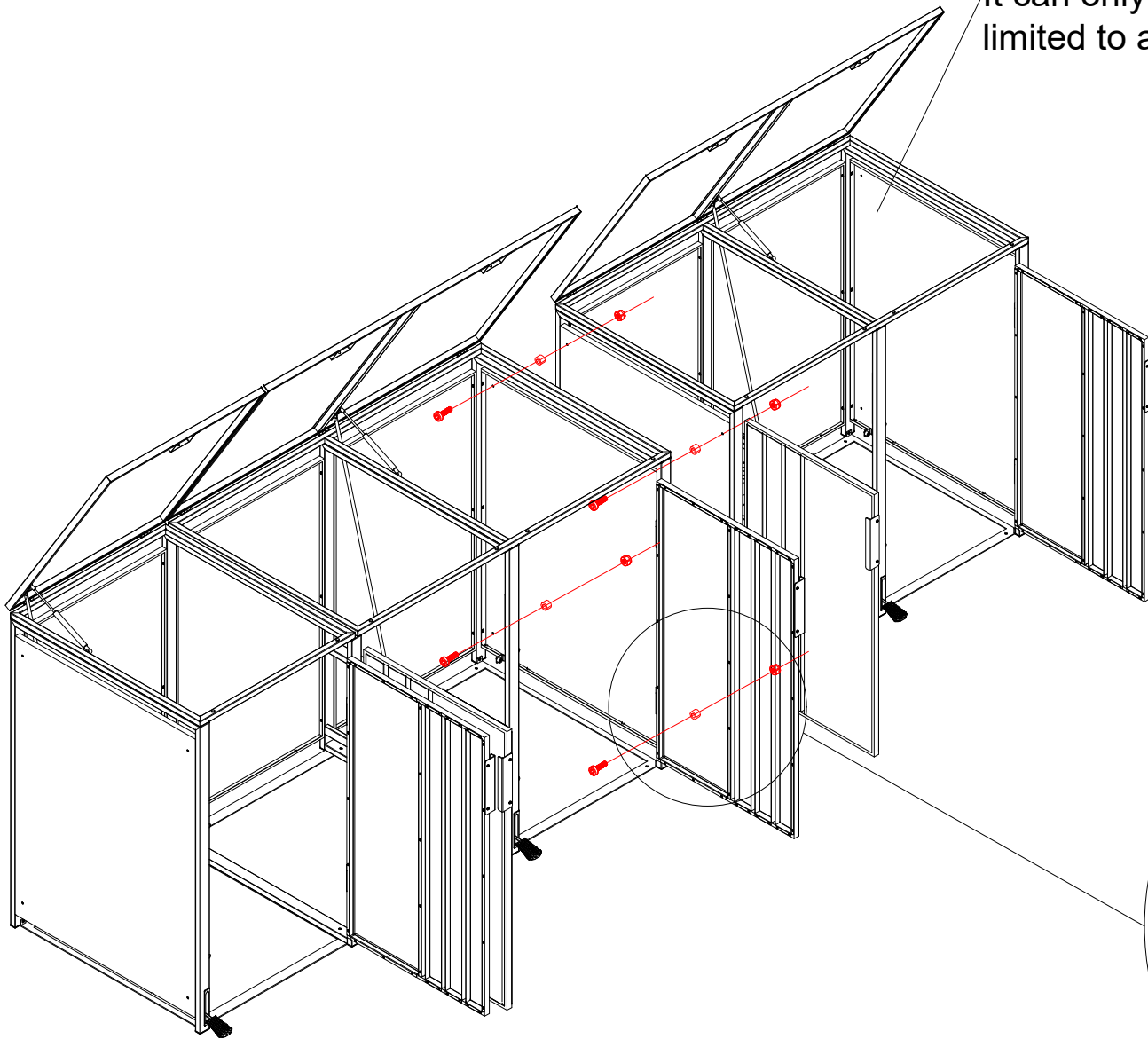


Please note: When the door panel is opened at 90°, the size of the pushed garbage bin is 574mm.

When the door panel is opened at 180°, the size of the pushed garbage bin is 600mm.

Step-14

It can only extend to the right and is limited to a two-door configuration.



L1x4

J1x4

K1x4

Note: When using an additional Supplementary element, please use part J1, K1, L1